

# HIGH-CAPACITY IC PNEUMATIC

 **TOYOTA**

**INDUSTRIAL EQUIPMENT**

**REACH NEW HEIGHTS**

**22000 - 72000 LBS.**

**SPECIFICATIONS**



THD2200-7200

CLASS  
**5**

INTERNAL COMBUSTION ENGINE PNEUMATIC TIRE

[ToyotaForklift.com](http://ToyotaForklift.com)



## HIGH-CAPACITY IC PNEUMATIC

CAPACITY  
**22000 - 72000 LBS.**

MAXIMUM FORK HEIGHT  
**324 IN.**

LOAD CENTER  
**24 - 48 IN.**

### INDUSTRIES



Agriculture



Brick,  
Block & Pipe



Concrete



General  
Manufacturing



Intermodal/Port



Lumber



Mining



Oil & Gas



Steel/Metals

## STANDARD FEATURES

### DURABILITY

- Force-cooled wet disc brakes
- AxleTech® planetary drive axle rated for durability in high-capacity, off-road applications
- Rigidly constructed welded frame
- Engine protection system
- High-capacity cooling system
- Open-core radiator with fan shroud
- Welded nested mast rails
- Pin-type forks
- 12-Volt electrical system with two 12-Volt batteries
- 2-stage heavy-duty air cleaner
- Wide visible 2-stage mast (V)

### SAFETY

- Electric horn
- Asbestos-free components
- Neutral safety switch
- Integrated overhead guard
- Operator Restraint System seat
- Orange forks
- Operator Presence Sensing System (OPSS)

### PERFORMANCE

- CUMMINS® 6.7-liter, 6-cylinder Tier 3 diesel engine
  - Common rail electronic fuel injection system
  - Turbocharged and intercooled
- Dana model 32000 transmission
- 2-function hydraulic control valve (lift & tilt)
- Independent brake and inching pedals
- Full hydraulic power steering
- Warning light for parking brake (release)
- Upswept exhaust
- Integrated multifunction display includes:
  - Hour meter display
  - Fuel gauge
  - Low fuel warning light
  - Engine oil pressure gauge
  - Battery charge warning light
  - Water temperature gauge
  - Transmission temperature gauge
  - Transmission, air & hydraulic filter indicator
  - Parking brake indicator
  - Oil pressure indicator
  - Service indicator
  - Engine water temperature indicator
  - Tachometer
  - Speedometer

### ERGONOMICS/CABIN

- Strobe light
- Back up alarm
- LED headlights (2)
- Rear worklights (2)
- Fingertip hydraulic controls
- Key off headlights
- Rearview mirrors (right & left sides)
- Turn signal lights
- Front & rear combination lights
- Dashless cab design for improved visibility
- Fingertip hydraulic controls
- Tilt steering column
- Left-hand shift lever
- Long operator assist grips
- Insulated floor, cab walls & doors
- Adjustable air-ride seat with retractable seat belts
- Lockable doors with greaseable hinges
- Cab heater & operator fan
- Spring-apply/hydraulic-release parking brake
- Individually controlled front/rear wipers
- Tinted glass to minimize glare

### SERVICEABILITY

- Electronic engine diagnostics with fault code history
- All-wheel rotatable tires
- Easy-access filters
- Easy-lift hoods, panels & doors
- Hydraulic multi-gauge
- Externally serviceable brakes

# TRUCK SPECIFICATIONS

## MODEL NUMBERS

MODEL			THD2200-24	THD2400-24	THD2600-24	THD2800-24	THD3000-24
Load Capacity	lb (kg)		22000 (9979)	24000 (10890)	26000 (11790)	28000 (12700)	30000 (13610)
Load Center	in (mm)		24 (610)	24 (610)	24 (610)	24 (610)	24 (610)
Brakes (service foot / parking)			Wet Disc / Drum				
Transmission	Type		PowerShift				
	Speeds (fwd. / rev.)	mph	3 / 3				
Internal Combustion Engine	Make / Model		CUMMINS 6.7L				
	Rated Horsepower @ rpm	SAE HP (kW)	160 @ 2500 (119 @ 2500)	160 @ 2500 (119 @ 2500)	160 @ 2500 (119 @ 2500)	160 @ 2500 (119 @ 2500)	160 @ 2500 (119 @ 2500)
	Rated Torque @ rpm	SAE ft-lb (N-m)	540 @ 1500 (732 @ 1500)	540 @ 1500 (732 @ 1500)	540 @ 1500 (732 @ 1500)	540 @ 1500 (732 @ 1500)	540 @ 1500 (732 @ 1500)
Battery	Voltage	V	12	12	12	12	12
EXTERIOR DIMENSIONS			THD2200-24	THD2400-24	THD2600-24	THD2800-24	THD3000-24
Mast Extended Height	in (mm)		220 (5588)	220 (5588)	220 (5588)	220 (5588)	220 (5588)
<b>A</b> Mast Lowered Height	in (mm)		142 (3607)	142 (3607)	142 (3607)	142 (3607)	142 (3607)
<b>B</b> Maximum Fork Height (MFH) (top of forks)	in (mm)		144 (3658)	144 (3658)	144 (3658)	144 (3658)	144 (3658)
<b>C</b> Load Distance <sup>1</sup>	in (mm)		36.5 (927)	36.5 (927)	36.5 (927)	36.5 (927)	36.5 (927)
<b>D</b> Wheelbase	in (mm)		115 (2921)	115 (2921)	115 (2921)	115 (2921)	115 (2921)
<b>E</b> Fork Size (T x W x L)	in (mm)		3 (76) x 7 (178) x 48 (1219.2)	3 (76) x 7 (178) x 48 (1219.2)	3 (76) x 7 (178) x 48 (1219.2)	3 (76) x 7 (178) x 48 (1219.2)	3 (76) x 7 (178) x 48 (1219.2)
<b>F</b> Length to Fork Face	in (mm)		185.9 (4722)	185.9 (4722)	185.9 (4722)	185.9 (4722)	185.9 (4722)
<b>G</b> Overhead Guard Clearance	in (mm)		131.50 (3340)	131.50 (3340)	131.50 (3340)	131.50 (3340)	131.50 (3340)
<b>H</b> Tilt Range (forward / backward)	deg		10 / 8	10 / 8	10 / 8	10 / 8	10 / 8
<b>I</b> Outside Turning Radius	in (mm)		166.6 (4232)	166.6 (4232)	166.6 (4232)	166.6 (4232)	166.6 (4232)
Basic Right Angle Stacking Aisle Width <sup>2</sup>	in (mm)		203.2 (5161)	203.2 (5161)	203.2 (5161)	203.2 (5161)	203.2 (5161)
<b>J</b> Overall Width	in (mm)		103 (2606)	103 (2606)	103 (2606)	103 (2606)	103 (2606)
<b>K</b> Tread Width	Front	in (mm)	75 (1902)	75 (1902)	75 (1902)	75 (1902)	75 (1902)
	Rear	in (mm)	79 (2007)	79 (2007)	79 (2007)	79 (2007)	79 (2007)
<b>M</b> Underclearance (full load)	Minimum with Load	in (mm)	9.4 (240)	9.4 (240)	9.4 (240)	9.4 (240)	9.4 (240)
	Center of Wheelbase	in (mm)	11.8 (300)	11.8 (300)	11.8 (300)	11.8 (300)	11.8 (300)
PERFORMANCE DATA			THD2200-24	THD2400-24	THD2600-24	THD2800-24	THD3000-24
Maximum Travel Speed	No Load (fwd. / rev.)	mph (km/h)	23 (37) / 23 (37)	23 (37) / 23 (37)	23 (37) / 23 (37)	23 (37) / 23 (37)	23 (37) / 23 (37)
Lift Speed	Full Load	fpm (mm/sec)	64.1 (0.33)	64.1 (0.33)	64.1 (0.33)	64.1 (0.33)	64.1 (0.33)
	No Load	fpm (mm/sec)	64.1 (0.33)	64.1 (0.33)	64.1 (0.33)	64.1 (0.33)	64.1 (0.33)
Lowering Speed	Full Load	fpm (mm/sec)	68.6 (0.35)	68.6 (0.35)	68.6 (0.35)	68.6 (0.35)	68.6 (0.35)
	No Load	fpm (mm/sec)	48 (0.24)	48 (0.24)	48 (0.24)	48 (0.24)	48 (0.24)
Maximum Drawbar Pull	Full Load	lb (kg) <N>	19611 (8895) <87234>	19592 (8887) <87149>	19563 (8874) <87020>	19540 (8863) <86918>	19520 (8854) <86829>
Maximum Gradeability	Full Load	%	30	29	27	26	24
	No Load	%	47	46	44	42	41
FUEL CAPACITY			THD2200-24	THD2400-24	THD2600-24	THD2800-24	THD3000-24
Fuel Tank	US gal (L)		57 (216)	57 (216)	57 (216)	57 (216)	57 (216)
TRUCK WEIGHTS			THD2200-24	THD2400-24	THD2600-24	THD2800-24	THD3000-24
Gross Weight (empty)	lb (kg)		40973 (18585)	42260 (19169)	44140 (20022)	45689 (20724)	46999 (21318)
Weight Distribution	Front - Full Load	lb (kg)	59327 (26910)	62282 (28251)	64238 (29138)	68676 (31151)	71629 (32490)
	Rear - Full Load	lb (kg)	3646 (1654)	3978 (1804)	4902 (2224)	5013 (2274)	5370 (2436)
	Front - No Load	lb (kg)	25657 (11638)	25552 (11590)	25447 (11543)	25824 (11722)	25716 (11665)
	Rear - No Load	lb (kg)	15316 (6947)	16708 (7579)	18693 (8479)	19865 (9011)	21283 (9654)
ATTACHMENT			THD2200-24	THD2400-24	THD2600-24	THD2800-24	THD3000-24
Auxiliary Hydraulic Function (for attachments)	Max. Operating Pressure	psi (kg/cm <sup>2</sup> ) <MPa>	2700 (190) <18.6>	2700 (190) <18.6>	2700 (190) <18.6>	2700 (190) <18.6>	2700 (190) <18.6>
	Max Flow Rate	gpm	70	70	70	70	70
TIRES			THD2200-24	THD2400-24	THD2600-24	THD2800-24	THD3000-24
Type (front / rear)	Pneumatic / Pneumatic						
Number	Front / Rear	4 / 2					
Size (OD x W x ID)	Front	12.00 x 20 x 20PR	12.00 x 20 x 20PR	12.00 x 20 x 20PR	12.00 x 20 x 20PR	12.00 x 20 x 20PR	
	Rear	12.00 x 20 x 20PR	12.00 x 20 x 20PR	12.00 x 20 x 20PR	12.00 x 20 x 20PR	12.00 x 20 x 20PR	

1 Centerline of front axle to front face of forks.  
2 Add load length & aisle clearance.

MODEL NUMBERS

MODEL		THD3300-24	THD3300S-24	THD3600-24	THD3600S-24	THD3600-36	THD3600S-36	
Load Capacity	lb (kg)	33000 (14970)	33000 (14970)	36000 (16330)	36000 (16330)	36000 (16330)	36000 (16330)	
Load Center	in (mm)	24 (610)	24 (610)	24 (610)	24 (610)	36 (914)	36 (914)	
Brakes (service foot / parking)		Wet Disc / Drum						
Transmission	Type	PowerShift						
	Speeds (fwd. / rev.)	mph 3 / 3						
Internal Combustion Engine	Make / Model	CUMMINS 6.7L						
	Rated Horsepower @ rpm	SAE HP <kW> 160 @ 2500 (119 @ 2500)	160 @ 2500 (119 @ 2500)	160 @ 2500 (119 @ 2500)	160 @ 2500 (119 @ 2500)	160 @ 2500 (119 @ 2500)	160 @ 2500 (119 @ 2500)	
	Rated Torque @ rpm	SAE ft-lb <N-m> 540 @ 1500 (732 @ 1500)	540 @ 1500 (732 @ 1500)	540 @ 1500 (732 @ 1500)	540 @ 1500 (732 @ 1500)	540 @ 1500 (732 @ 1500)	540 @ 1500 (732 @ 1500)	
Battery	Voltage	V 12	12	12	12	12	12	
EXTERIOR DIMENSIONS		THD3300-24	THD3300S-24	THD3600-24	THD3600S-24	THD3600-36	THD3600S-36	
Mast Extended Height	in (mm)	220 (5588)	220 (5588)	220 (5588)	220 (5588)	220 (5588)	220 (5588)	
<b>A</b> Mast Lowered Height	in (mm)	142 (3607)	142 (3607)	142 (3607)	142 (3607)	142 (3607)	142 (3607)	
<b>B</b> Maximum Fork Height (MFH) (top of forks)	in (mm)	144 (3658)	144 (3658)	144 (3658)	144 (3658)	144 (3658)	144 (3658)	
<b>C</b> Load Distance <sup>1</sup>	in (mm)	36.5 (927)	36.5 (927)	36.5 (927)	36.5 (927)	42.5 (1080)	42.5 (1080)	
<b>D</b> Wheelbase	in (mm)	136 (3454)	115 (2921)	136 (3454)	115 (2921)	136 (3454)	115 (2921)	
<b>E</b> Fork Size (T x W x L)	in (mm)	3 (76) x 8 (200) x 48 (1219.2)	3 (76) x 8 (200) x 48 (1219.2)	3 (76) x 8 (200) x 48 (1219.2)	3 (76) x 8 (200) x 48 (1219.2)	3 (76) x 8 (200) x 48 (1219.2)	3 (76) x 8 (200) x 72 (1828.8)	
<b>F</b> Length to Fork Face	in (mm)	207 (5265)	185.9 (4722)	211 (5232)	190 (4826)	211 (5359)	190.5 (4839)	
<b>G</b> Overhead Guard Clearance	in (mm)	131.50 (3340)	131.50 (3340)	131.50 (3340)	131.50 (3340)	131.50 (3340)	131.50 (3340)	
<b>H</b> Tilt Range (forward / backward)	deg	10 / 8	10 / 8	10 / 8	10 / 8	10 / 8	10 / 8	
<b>I</b> Outside Turning Radius	in (mm)	190 (4826)	166.6 (4232)	200 (5080)	169 (4293)	200 (5080)	169 (4293)	
Basic Right Angle Stacking Aisle Width <sup>2</sup>	in (mm)	227 (5766)	203.2 (5161)	237 (6020)	206 (5232)	242 (6147)	206.5 (5245)	
<b>J</b> Overall Width	in (mm)	103 (2606)	103 (2606)	103 (2606)	103 (2606)	103 (2606)	103 (2606)	
<b>K</b> Tread Width	Front	in (mm)	75 (1902)	75 (1902)	75 (1902)	75 (1902)	75 (1902)	
	Rear	in (mm)	79 (2007)	79 (2007)	79 (2007)	79 (2007)	79 (2007)	
<b>M</b> Underclearance (full load)	Minimum with Load	in (mm)	9.4 (240)	9.4 (240)	9.4 (240)	9.4 (240)	9.4 (240)	
	Center of Wheelbase	in (mm)	11.8 (300)	11.8 (300)	11.8 (300)	11.8 (300)	11.8 (300)	
<b>N</b>	in (mm)	11.8 (300)	11.8 (300)	11.8 (300)	11.8 (300)	11.8 (300)	11.8 (300)	
PERFORMANCE DATA		THD3300-24	THD3300S-24	THD3600-24	THD3600S-24	THD3600-36	THD3600S-36	
Maximum Travel Speed	No Load (fwd. / rev.)	mph (km/h) 23 (37) / 23 (37)	23 (37) / 23 (37)	23 (37) / 23 (37)	23 (37) / 23 (37)	23 (37) / 23 (37)	23 (37) / 23 (37)	
Lift Speed	Full Load	fpm (mm/sec) 64.1 (0.33)	64.1 (0.33)	64.1 (0.33)	64.1 (0.33)	53.2 (0.27)	53.2 (0.27)	
	No Load	fpm (mm/sec) 64.1 (0.33)	64.1 (0.33)	64.1 (0.33)	64.1 (0.33)	53.2 (0.27)	53.2 (0.27)	
Lowering Speed	Full Load	fpm (mm/sec) 68.6 (0.35)	68.6 (0.35)	68.6 (0.35)	68.6 (0.35)	56.9 (0.29)	56.9 (0.29)	
	No Load	fpm (mm/sec) 48 (0.24)	48 (0.24)	48 (0.24)	48 (0.24)	39.8 (0.20)	39.8 (0.20)	
Maximum Drawbar Pull	Full Load	lb (kg) <N> 19546 (8866) <86944>	19491 (8841) <86700>	19458 (8826) <86553>	19341 (8773) <86033>	19386 (8793) <86233>	19341 (8773) <86033>	
Maximum Gradeability	Full Load	% 24	23	22	21	20	19	
	No Load	% 43	39	38	38	34	32	
FUEL CAPACITY		THD3300-24	THD3300S-24	THD3600-24	THD3600S-24	THD3600-36	THD3600S-36	
Fuel Tank	US gal	86 (326)	57 (216)	86 (326)	57 (216)	57 (216)	57 (216)	
TRUCK WEIGHTS		THD3300-24	THD3300S-24	THD3600-24	THD3600S-24	THD3600-36	THD3600S-36	
Gross Weight (empty)	lb (kg)	45297 (20546)	48968 (22212)	46981 (21310)	51156 (23204)	55986 (25395)	58973 (26750)	
Weight Distribution	Front - Full Load	lb (kg)	73302 (33249)	75583 (34284)	77532 (35168)	80712 (36610)	85264 (38675)	87260 (39580)
	Rear - Full Load	lb (kg)	4995 (2266)	6385 (2896)	5449 (2472)	6444 (2923)	6722 (3049)	7713 (3499)
	Front - No Load	lb (kg)	25501 (11567)	25078 (11375)	25385 (11514)	25616 (11619)	28617 (12980)	28408 (12886)
	Rear - No Load	lb (kg)	19796 (8979)	23890 (10836)	21596 (9796)	25540 (11585)	27369 (12414)	30565 (13864)
ATTACHMENT		THD3300-24	THD3300S-24	THD3600-24	THD3600S-24	THD3600-36	THD3600S-36	
Auxiliary Hydraulic Function (for attachments)	Max. Operating Pressure	psi (kg/cm <sup>2</sup> ) <MPa> 2700 (190) <18.6>	2700 (190) <18.6>	2700 (190) <18.6>	2700 (190) <18.6>	2700 (190) <18.6>	2700 (190) <18.6>	
	Max Flow Rate	gpm 70	70	70	70	70	70	
TIRES		THD3300-24	THD3300S-24	THD3600-24	THD3600S-24	THD3600-36	THD3600S-36	
Type (front / rear)	Pneumatic / Pneumatic							
Number	Front / Rear	4 / 2						
Size (OD x W x ID)	Front	12.00 x 20 x 20PR	12.00 x 20 x 20PR	12.00 x 20 x 20PR	12.00 x 20 x 20PR	12.00 x 20 x 20PR	12.00 x 20 x 20PR	
	Rear	12.00 x 20 x 20PR	12.00 x 20 x 20PR	12.00 x 20 x 20PR	12.00 x 20 x 20PR	12.00 x 20 x 20PR	12.00 x 20 x 20PR	

1 Centerline of front axle to front face of forks.  
2 Add load length & aisle clearance.

TRUCK SPECIFICATIONS

MODEL NUMBERS

MODEL			THD3600-48	THD4000-48	THD4500-48	THD4500S-48	THD5000-48	THD5200-48
Load Capacity	lb (kg)		36000 (16330)	40000 (18144)	45000 (20412)	45000 (20412)	50000 (22680)	52000 (23587)
Load Center	in (mm)		48 (1219)	48 (1219)	48 (1219)	48 (1219)	48 (1219)	48 (1219)
Brakes (service foot / parking)			Wet Disc / Drum					
Transmission	Type		PowerShift	PowerShift	PowerShift - Autoshift	PowerShift - Autoshift	PowerShift - Autoshift	PowerShift - Autoshift
	Speeds (fwd. / rev.)	mph	3 / 3					
Internal Combustion Engine	Make / Model		CUMMINS 6.7L					
	Rated Horsepower @ rpm	SAE HP <kW>	160 @ 2500 (119 @ 2500)	160 @ 2500 (119 @ 2500)	240 @ 2500 <179 @ 2500>	240 @ 2500 <179 @ 2500>	240 @ 2500 <179 @ 2500>	240 @ 2500 <179 @ 2500>
	Rated Torque @ rpm	SAE ft-lb <N-m>	540 @ 1500 (732 @ 1500)	540 @ 1500 (732 @ 1500)	728 @ 1500 <987 @ 1500>	728 @ 1500 <987 @ 1500>	728 @ 1500 <987 @ 1500>	728 @ 1500 <987 @ 1500>
Battery	Voltage	V	12	12	12	12	12	12

EXTERIOR DIMENSIONS			THD3600-48	THD4000-48	THD4500-48	THD4500S-48	THD5000-48	THD5200-48
Mast Extended Height	in (mm)		220 (5588)	220 (5588)	234 (5944)	234 (5944)	234 (5944)	234 (5944)
<b>A</b> Mast Lowered Height	in (mm)		150 (3810)	150 (3810)	154 (3912)	154 (3912)	154 (3912)	154 (3912)
<b>B</b> Maximum Fork Height (MFH) (top of forks)	in (mm)		144 (3658)	144 (3658)	144 (3658)	144 (3658)	144 (3658)	144 (3658)
<b>C</b> Load Distance <sup>1</sup>	in (mm)		42.5 (1080)	42.5 (1080)	48 (1219)	48 (1219)	48 (1219)	48 (1219)
<b>D</b> Wheelbase	in (mm)		136 (3454)	144 (3658)	170 (4318)	144 (3658)	170 (4318)	170 (4318)
<b>E</b> Fork Size (T x W x L)	in (mm)		.5 (114) x 10 (254) x 96 (2438.4)	3 (76) x 8 (200) x 96 (2438.4)	.5 (114) x 11 (279) x 96 (2438.4)	.5 (114) x 11 (279) x 96 (2438.4)	.5 (114) x 12 (305) x 96 (2438.4)	.5 (114) x 12 (305) x 96 (2438.4)
<b>F</b> Length to Fork Face	in (mm)		211 (5359)	218 (5532)	263 (6680)	234.9 (5966)	263 (6680)	263 (6680)
<b>G</b> Overhead Guard Clearance	in (mm)		131.50 (3340)	TBD	TBD	TBD	TBD	TBD
<b>H</b> Tilt Range (forward / backward)	deg		10 / 8	12 / 9	12 / 9	12 / 9	12 / 9	12 / 9
<b>I</b> Outside Turning Radius	in (mm)		200 (5080)	207 (5257)	255 (6477)	226.6 (5756)	255 (6477)	255 (6477)
Basic Right Angle Stacking Aisle Width <sup>2</sup>	in (mm)		242 (6147)	252 (6401)	305 (7747)	276.3 (7018)	305 (7747)	305 (7747)
<b>J</b> Overall Width	in (mm)		103 (2606)	120 (3048)	120 (3048)	120 (3048)	120 (3048)	120 (3048)
<b>K</b> Tread Width	Front	in (mm)	75 (1902)	86 (2184)	86 (2184)	86 (2184)	92 (2337)	92 (2337)
	Rear	in (mm)	75 (1902)	92 (2337)	92 (2337)	92 (2337)	92 (2337)	92 (2337)
<b>M</b> Underclearance (full load)	Minimum with Load	in (mm)	9.4 (240)	5.4 (137)	5.4 (137)	5.4 (137)	5.4 (137)	5.4 (137)
	Center of Wheelbase	in (mm)	11.8 (300)	14.3 (363)	14.3 (363)	14.3 (363)	14.3 (363)	14.3 (363)

PERFORMANCE DATA			THD3600-48	THD4000-48	THD4500-48	THD4500S-48	THD5000-48	THD5200-48
Maximum Travel Speed	No Load (fwd. / rev.)	mph (km/h)	23 (37) / 23 (37)	23 (37) / 23 (37)	24.9 (40.1) / 24.9 (40.1)	24.9 (40.1) / 24.9 (40.1)	24.9 (40.1) / 24.9 (40.1)	24.9 (40.1) / 24.9 (40.1)
Lift Speed	Full Load	fpm (mm/sec)	53.2 (0.27)	53.2 (0.27)	53.2 (0.27)	53.2 (0.27)	32.7 (0.17)	32.7 (0.17)
	No Load	fpm (mm/sec)	53.2 (0.27)	53.2 (0.27)	53.2 (0.27)	53.2 (0.27)	32.7 (0.17)	32.7 (0.17)
Lowering Speed	Full Load	fpm (mm/sec)	56.9 (0.29)	56.9 (0.29)	56.9 (0.29)	56.9 (0.29)	35.0 (0.18)	35.0 (0.18)
	No Load	fpm (mm/sec)	39.8 (0.20)	39.8 (0.20)	39.8 (0.20)	39.8 (0.20)	21.9 (0.11)	21.9 (0.11)
Maximum Drawbar Pull	Full Load	lb (kg) <N>	19322 (8764) <85948>	26416 (11903) <117504>	24062 (10914) <107033>	23976 (10875) <106650>	24012 (10892) <106810>	23992 (10883) <106721>
Maximum Gradeability	Full Load	%	19	18	19	18	17	17
	No Load	%	32	31	30	28	29	29

FUEL CAPACITY			THD3600-48	THD4000-48	THD4500-48	THD4500S-48	THD5000-48	THD5200-48
Fuel Tank	US gal		57 (216)	57 (216)	110 (416)	97 (367)	110 (416)	110 (416)

TRUCK WEIGHTS			THD3600-48	THD4000-48	THD4500-48	THD4500S-48	THD5000-48	THD5200-48
Gross Weight (empty)	lb (kg)		60207 (27309)	61725 (27998)	77928 (35348)	83017 (37656)	81272 (36864)	82612 (37472)
Weight Distribution	Front - Full Load	lb (kg)	88166 (39991)	93288 (42314)	116416 (52805)	120329 (54580)	123919 (56209)	127087 (57646)
	Rear - Full Load	lb (kg)	8041 (3647)	8437 (3827)	6512 (2954)	7688 (3487)	7353 (3335)	7525 (3413)
	Front - No Load	lb (kg)	28342 (12856)	28288 (12831)	45369 (20579)	44580 (20221)	45095 (20455)	44988 (20406)
	Rear - No Load	lb (kg)	31865 (14454)	33437 (15167)	32559 (14768)	38437 (17435)	36177 (16410)	37624 (17066)

ATTACHMENT			THD3600-48	THD4000-48	THD4500-48	THD4500S-48	THD5000-48	THD5200-48
Auxiliary Hydraulic Function (for attachments)	Max. Operating Pressure	psi (kg/cm <sup>2</sup> ) <MPa>	2700 (190) <18.6>	2700 (190) <18.6>	2700 (190) <18.6>	2700 (190) <18.6>	2700 (190) <18.6>	2700 (190) <18.6>
	Max Flow Rate	gpm	70	70	70	70	70	70

TIRES			THD3600-48	THD4000-48	THD4500-48	THD4500S-48	THD5000-48	THD5200-48
Type (front / rear)			Pneumatic / Pneumatic					
Number	Front / Rear		4 / 2					
Size (OD x W x ID)	Front		12.00 x 20 x 20PR	12.00 x 20 x 20PR	14.00 x 24 x 24PR	14.00 x 24 x 24PR	14.00 x 24 x 24PR	14.00 x 24 x 24PR
	Rear		12.00 x 20 x 20PR	12.00 x 20 x 20PR	14.00 x 24 x 24PR	14.00 x 24 x 24PR	14.00 x 24 x 24PR	14.00 x 24 x 24PR

1 Centerline of front axle to front face of forks.  
2 Add load length & aisle clearance.

MODEL NUMBERS

MODEL		THD5500-48	THD6000-48	THD6500-48	THD7000-48	THD7200-48	
Load Capacity	lb (kg)	55000 (24948)	60000 (27216)	65000 (29483)	70000 (31751)	72000 (32659)	
Load Center	in (mm)	48 (1219)	48 (1219)	48 (1219)	48 (1219)	48 (1219)	
Brakes (service foot / parking)		Wet Disc / Drum					
Transmission	Type	PowerShift - Autoshift					
	Speeds (fwd. / rev.)	mph 3 / 3					
Internal Combustion Engine	Make / Model	CUMMINS 6.7L					
	Rated Horsepower @ rpm	SAE HP <kW>	240 @ 2500 <179 @ 2500>	240 @ 2500 <179 @ 2500>	240 @ 2500 <179 @ 2500>	240 @ 2500 <179 @ 2500>	240 @ 2500 <179 @ 2500>
	Rated Torque @ rpm	SAE ft-lb <N-m>	728 @ 1500 <987 @ 1500>	728 @ 1500 <987 @ 1500>	728 @ 1500 <987 @ 1500>	728 @ 1500 <987 @ 1500>	728 @ 1500 <987 @ 1500>
Battery	Voltage	V	12	12	12	12	

EXTERIOR DIMENSIONS		THD5500-48	THD6000-48	THD6500-48	THD7000-48	THD7200-48
Mast Extended Height	in (mm)	234 (5944)	234 (5944)	234 (5944)	234 (5944)	234 (5944)
<b>A</b> Mast Lowered Height	in (mm)	154 (3912)	154 (3912)	154 (3912)	164 (4166)	164 (4166)
<b>B</b> Maximum Fork Height (MFH) (top of forks)	in (mm)	144 (3658)	144 (3658)	144 (3658)	144 (3658)	144 (3658)
<b>C</b> Load Distance <sup>1</sup>	in (mm)	48 (1219)	48 (1219)	48 (1219)	50.25 (1276)	50.25 (1276)
<b>D</b> Wheelbase	in (mm)	170 (4318)	174 (4420)	174 (4420)	174 (4420)	174 (4420)
<b>E</b> Fork Size (T x W x L)	in (mm)	5 (127) x 12 (305) x 96 (2438.4)	5 (127) x 12 (305) x 96 (2438.4)	5 (127) x 12 (305) x 96 (2438.4)	5 (127) x 12 (305) x 96 (2438.4)	5 (127) x 12 (305) x 96 (2438.4)
<b>F</b> Length to Fork Face	in (mm)	263 (6680)	263 (6680)	263 (6680)	263 (6680)	263 (6680)
<b>G</b> Overhead Guard Clearance	in (mm)	TBD	TBD	TBD	TBD	TBD
<b>H</b> Tilt Range (forward / backward)	deg	12 / 9	12 / 9	12 / 9	12 / 9	12 / 9
<b>I</b> Outside Turning Radius	in (mm)	255 (6477)	265 (6731)	265 (6731)	265 (6731)	265 (6731)
Basic Right Angle Stacking Aisle Width <sup>2</sup>	in (mm)	305 (7747)	315 (8001)	315 (8001)	315 (8001)	315 (8001)
<b>J</b> Overall Width	in (mm)	120 (3048)	132 (3352)	132 (3352)	132 (3352)	132 (3352)
<b>K</b> Tread Width	Front	in (mm)	86 (2184)	86 (2184)	86 (2184)	105 (2667)
	Rear	in (mm)	92 (2337)	92 (2337)	92 (2337)	120 (3048)
<b>M</b> Underclearance (full load)	Minimum with Load	in (mm)	5.4 (137)	10 (254)	10 (254)	15 (381)
	Center of Wheelbase	in (mm)	14.3 (363)	17.5 (444)	17.5 (444)	17.5 (444)

PERFORMANCE DATA		THD5500-48	THD6000-48	THD6500-48	THD7000-48	THD7200-48
Maximum Travel Speed	No Load (fwd. / rev.)	mph (km/h)	24.9 (40.1) / 24.9 (40.1)	21.1 (34.0) / 21.1 (34.0)	21.1 (34.0) / 21.1 (34.0)	21.1 (34.0) / 21.1 (34.0)
Lift Speed	Full Load	fpm (mm/sec)	32.7 (0.17)	32.7 (0.17)	32.7 (0.17)	25.0 (0.13)
	No Load	fpm (mm/sec)	32.7 (0.17)	32.7 (0.17)	32.7 (0.17)	25.0 (0.13)
Lowering Speed	Full Load	fpm (mm/sec)	35.0 (0.18)	35.0 (0.18)	35.0 (0.18)	26.8 (0.14)
	No Load	fpm (mm/sec)	21.9 (0.11)	21.9 (0.11)	21.9 (0.11)	16.8 (0.09)
Maximum Drawbar Pull	Full Load	lb (kg) <N>	23962 (10869) <106588>	28354 (12861) <126124>	28304 (12838) <125902>	27970 (12687) <124416>
Maximum Gradeability	Full Load	%	16	18	17	14
	No Load	%	28	31	30	24

FUEL CAPACITY		THD5500-48	THD6000-48	THD6500-48	THD7000-48	THD7200-48
Fuel Tank	US gal	110 (416)	110 (416)	110 (416)	110 (416)	110 (416)

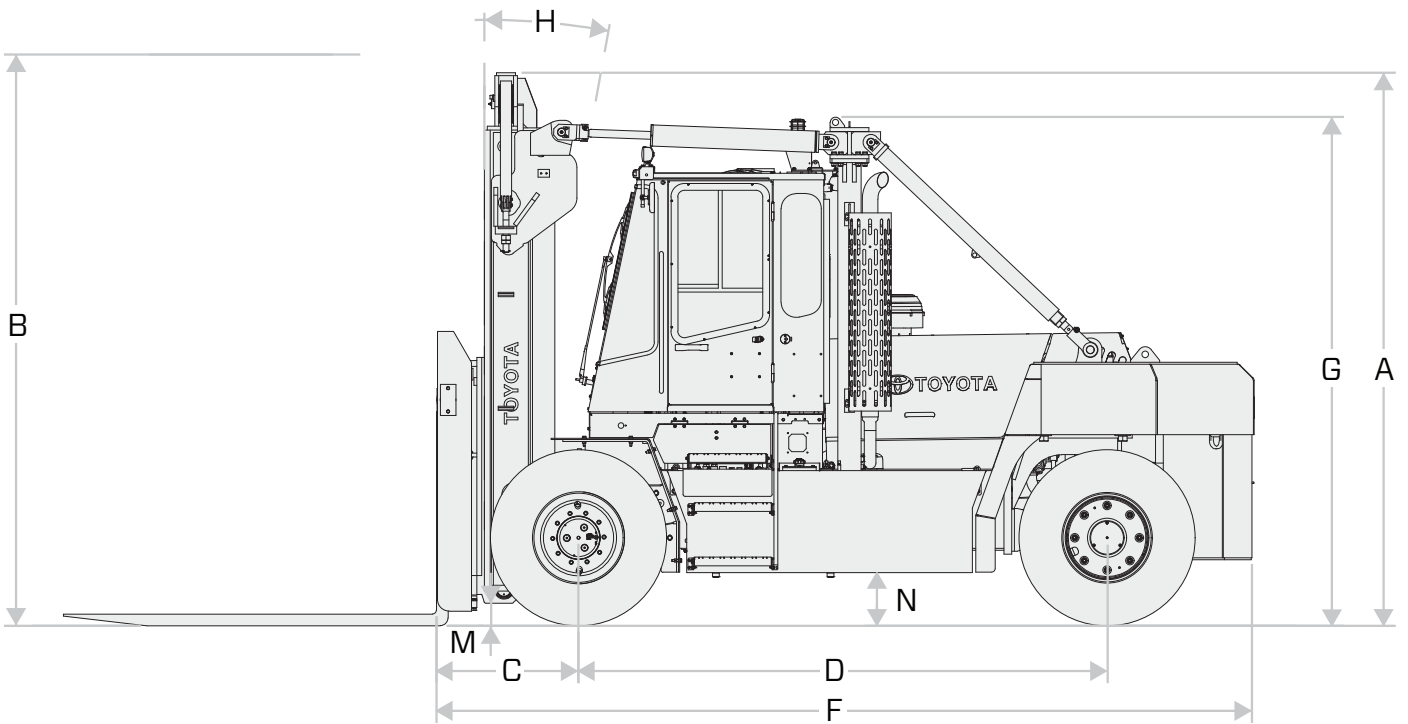
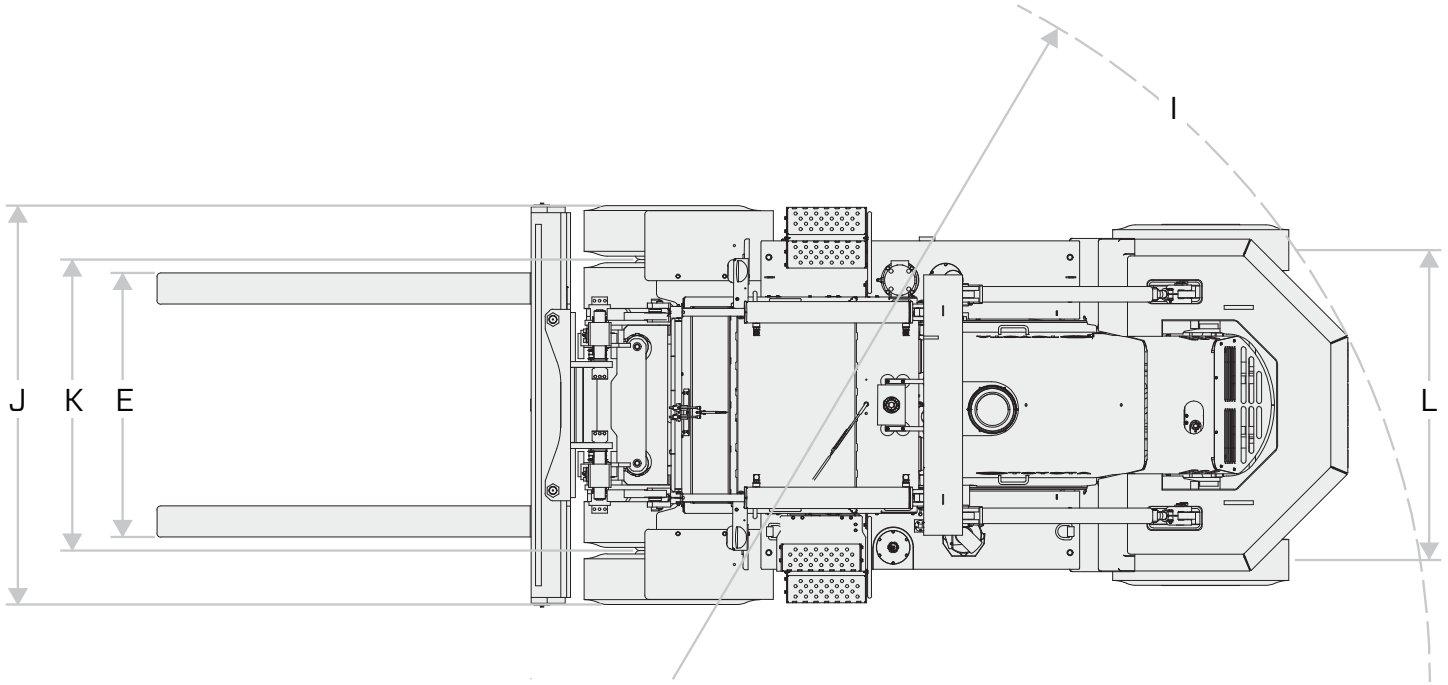
TRUCK WEIGHTS		THD5500-48	THD6000-48	THD6500-48	THD7000-48	THD7200-48
Gross Weight (empty)	lb (kg)	84620 (38383)	90000 (40823)	93349 (42342)	115580 (52426)	117200 (53161)
Weight Distribution	Front - Full Load	lb (kg)	131661 (59720)	141320 (64102)	148943 (67559)	169180 (76739)
	Rear - Full Load	lb (kg)	7959 (3610)	8680 (3937)	9406 (4266)	172332 (78168)
	Front - No Load	lb (kg)	44826 (20333)	46590 (21133)	46320 (21010)	57180 (25936)
	Rear - No Load	lb (kg)	39794 (18050)	43410 (19690)	47029 (21332)	57132 (25915)

ATTACHMENT		THD5500-48	THD6000-48	THD6500-48	THD7000-48	THD7200-48
Auxiliary Hydraulic Function (for attachments)	Max. Operating Pressure	psi (kg/cm <sup>2</sup> ) <MPa>	2700 (190) <18.6>	2700 (190) <18.6>	2700 (190) <18.6>	2700 (190) <18.6>
	Max Flow Rate	gpm	70	70	70	70

TIRES		THD5500-48	THD6000-48	THD6500-48	THD7000-48	THD7200-48
Type (front / rear)		Pneumatic / Pneumatic				
Number	Front / Rear	4 / 2				
Size (OD x W x ID)	Front	14.00 x 24 x 24PR	16.00 x 25 x 28PR	16.00 x 25 x 28PR	16.00 x 25 x 28PR	16.00 x 25 x 28PR
	Rear	14.00 x 24 x 24PR	16.00 x 25 x 28PR	16.00 x 25 x 28PR	16.00 x 25 x 28PR	16.00 x 25 x 28PR

1 Centerline of front axle to front face of forks.  
2 Add load length & aisle clearance.

EXTERIOR DIMENSIONS



THD2200-24 MODEL SHOWN ABOVE



# MAST SPECIFICATIONS

MAST TYPE	MAXIMUM FORK HEIGHT (TOP OF FORKS)	OVERALL HEIGHT LOWERED	FREE-LIFT	TILT RANGE		LOAD CAPACITY AT			
				FWD	BWD	24 IN. (610 MM) LOAD CENTER 3" x 7" x 48" (STD.) FORKS	36 IN. (900 MM) LOAD CENTER 3" x 7" x 72" (OPT.) FORKS	48 IN. (1200 MM) LOAD CENTER 3" x 8" x 96" (OPT.) FORKS	60 IN. (1520 MM) LOAD CENTER 3.5" x 8" x 120" (OPT.) FORKS
				in (mm)	in (mm)	in (mm)	deg	deg	lb (kg)
<b>THD2200-24</b>									
Wide Visible (V)	144 (3655)	142 (3607)	0	10	8	22000 (9979)	18360 (8327)	15750 (7146)	13790 (6257)
	162 (4105)	151 (3835)	0	10	8	22000 (9979)	18360 (8327)	15750 (7146)	13790 (6257)
	180 (4575)	160 (4064)	0	10	8	22000 (9979)	18360 (8327)	15750 (7146)	13790 (6257)
	186 (4724)	163 (4140)	0	10	8	22000 (9979)	18360 (8327)	15750 (7146)	13790 (6257)
	204 (5182)	172 (4369)	0	10	8	22000 (9979)	18360 (8327)	15750 (7146)	13790 (6257)
	216 (5486)	178 (4521)	0	10	8	22000 (9979)	18360 (8327)	15750 (7146)	13790 (6257)
	256 (6502)	198 (5029)	0	10	8	22000 (9979)	18360 (8327)	15750 (7146)	13790 (6257)
Full Free-Lift 2-Stage (FV)	300 (7620)	220 (5588)	0	10	8	22000 (9979)	18360 (8327)	15750 (7146)	13790 (6257)
Full Free-Lift 3-Stage (FSV)	123 (3124)	117 (2972)	43.5 (1105)	10	8	22000 (9979)	18360 (8327)	15750 (7146)	13790 (6257)
Full Free-Lift 3-Stage (FSV)	228 (5791)	143 (3632)	42 (1067)	10	8	22000 (9979)	18360 (8327)	15750 (7146)	13790 (6257)

MAST TYPE	MAXIMUM FORK HEIGHT (TOP OF FORKS)	OVERALL HEIGHT LOWERED	FREE-LIFT	TILT RANGE		LOAD CAPACITY AT			
				FWD	BWD	24 IN. (610 MM) LOAD CENTER 3" x 7" x 48" (STD.) FORKS	36 IN. (900 MM) LOAD CENTER 3" x 8" x 72" (OPT.) FORKS	48 IN. (1200 MM) LOAD CENTER 3.5" x 8" x 96" (OPT.) FORKS	60 IN. (1520 MM) LOAD CENTER 3.5" x 8" x 120" (OPT.) FORKS
				in (mm)	in (mm)	in (mm)	deg	deg	lb (kg)
<b>THD2400-24</b>									
Wide Visible (V)	144 (3655)	142 (3607)	0	10	8	24000 (10890)	20020 (9085)	17180 (7795)	15040 (6826)
	162 (4105)	151 (3835)	0	10	8	24000 (10890)	20020 (9085)	17180 (7795)	15040 (6826)
	180 (4575)	160 (4064)	0	10	8	24000 (10890)	20020 (9085)	17180 (7795)	15040 (6826)
	186 (4724)	163 (4140)	0	10	8	24000 (10890)	20020 (9085)	17180 (7795)	15040 (6826)
	204 (5182)	172 (4369)	0	10	8	24000 (10890)	20020 (9085)	17180 (7795)	15040 (6826)
	216 (5486)	178 (4521)	0	10	8	24000 (10890)	20020 (9085)	17180 (7795)	15040 (6826)
	256 (6502)	198 (5029)	0	10	8	24000 (10890)	20020 (9085)	17180 (7795)	15040 (6826)
Full Free-Lift 2-Stage (FV)	300 (7620)	220 (5588)	0	10	8	24000 (10890)	20020 (9085)	17180 (7795)	15040 (6826)
Full Free-Lift 2-Stage (FV)	123 (3124)	117 (2972)	43.5 (1105)	10	8	24000 (10890)	20020 (9085)	17180 (7795)	15040 (6826)
Full Free-Lift 3-Stage (FSV)	228 (5791)	143 (3632)	42 (1067)	10	8	24000 (10890)	20020 (9085)	17180 (7795)	15040 (6826)

MAST TYPE	MAXIMUM FORK HEIGHT (TOP OF FORKS)	OVERALL HEIGHT LOWERED	FREE-LIFT	TILT RANGE		LOAD CAPACITY AT			
				FWD	BWD	24 IN. (610 MM) LOAD CENTER 3" x 7" x 48" (STD.) FORKS	36 IN. (900 MM) LOAD CENTER 3" x 8" x 72" (OPT.) FORKS	48 IN. (1200 MM) LOAD CENTER 3.5" x 8" x 96" (OPT.) FORKS	60 IN. (1520 MM) LOAD CENTER 3.5" x 8" x 120" (OPT.) FORKS
				in (mm)	in (mm)	in (mm)	deg	deg	lb (kg)
<b>THD2600-24</b>									
Wide Visible (V)	144 (3655)	142 (3607)	0	10	8	26000 (11790)	21690 (9842)	18610 (8445)	16300 (7395)
	162 (4105)	151 (3835)	0	10	8	26000 (11790)	21690 (9842)	18610 (8445)	16300 (7395)
	180 (4575)	160 (4064)	0	10	8	26000 (11790)	21690 (9842)	18610 (8445)	16300 (7395)
	186 (4724)	163 (4140)	0	10	8	26000 (11790)	21690 (9842)	18610 (8445)	16300 (7395)
	204 (5182)	172 (4369)	0	10	8	26000 (11790)	21690 (9842)	18610 (8445)	16300 (7395)
	216 (5486)	178 (4521)	0	10	8	26000 (11790)	21690 (9842)	18610 (8445)	16300 (7395)
	256 (6502)	198 (5029)	0	10	8	26000 (11790)	21690 (9842)	18610 (8445)	16300 (7395)
Full Free-Lift 2-Stage (FV)	300 (7620)	220 (5588)	0	10	8	26000 (11790)	21690 (9842)	18610 (8445)	16300 (7395)
Full Free-Lift 2-Stage (FV)	123 (3124)	117 (2972)	43.5 (1105)	10	8	26000 (11790)	21690 (9842)	18610 (8445)	16300 (7395)
Full Free-Lift 3-Stage (FSV)	228 (5791)	143 (3632)	42 (1067)	10	8	26000 (11790)	21690 (9842)	18610 (8445)	16300 (7395)

MAST SPECIFICATIONS

MAST TYPE	MAXIMUM FORK HEIGHT (TOP OF FORKS)	OVERALL HEIGHT LOWERED	FREE-LIFT	TILT RANGE		LOAD CAPACITY AT			
				FWD	BWD	24 IN. (610 MM) LOAD CENTER 3" x 7" x 48" (STD.) FORKS	36 IN. (900 MM) LOAD CENTER 3.5" x 8" x 72" (OPT.) FORKS	48 IN. (1200 MM) LOAD CENTER 3.5" x 8" x 96" (OPT.) FORKS	60 IN. (1520 MM) LOAD CENTER 3.5" x 8" x 120" (OPT.) FORKS
				in (mm)	in (mm)	in (mm)	deg	deg	lb (kg)
<b>THD2800-24</b>									
Wide Visible (V)	144 (3655)	142 (3607)	0	10	8	28000 (12700)	23360 (10599)	20050 (9095)	17550 (7964)
	162 (4105)	151 (3835)	0	10	8	28000 (12700)	23360 (10599)	20050 (9095)	17550 (7964)
	180 (4575)	160 (4064)	0	10	8	28000 (12700)	23360 (10599)	20050 (9095)	17550 (7964)
	186 (4724)	163 (4140)	0	10	8	28000 (12700)	23360 (10599)	20050 (9095)	17550 (7964)
	204 (5182)	172 (4369)	0	10	8	28000 (12700)	23360 (10599)	20050 (9095)	17550 (7964)
	216 (5486)	178 (4521)	0	10	8	28000 (12700)	23360 (10599)	20050 (9095)	17550 (7964)
	256 (6502)	198 (5029)	0	10	8	28000 (12700)	23360 (10599)	20050 (9095)	17550 (7964)
300 (7620)	220 (5588)	0	10	8	28000 (12700)	23360 (10599)	20050 (9095)	17550 (7964)	
Full Free-Lift 2-Stage (FV)	123 (3124)	117 (2972)	43.5 (1105)	10	8	28000 (12700)	23360 (10599)	20050 (9095)	17550 (7964)
Full Free-Lift 3-Stage (FSV)	228 (5791)	143 (3632)	42 (1067)	10	8	28000 (12700)	23360 (10599)	20050 (9095)	17550 (7964)

MAST TYPE	MAXIMUM FORK HEIGHT (TOP OF FORKS)	OVERALL HEIGHT LOWERED	FREE-LIFT	TILT RANGE		LOAD CAPACITY AT			
				FWD	BWD	24 IN. (610 MM) LOAD CENTER 3" x 7" x 48" (STD.) FORKS	36 IN. (900 MM) LOAD CENTER 3.5" x 8" x 72" (OPT.) FORKS	48 IN. (1200 MM) LOAD CENTER 3.5" x 8" x 96" (OPT.) FORKS	60 IN. (1520 MM) LOAD CENTER 4" x 8" x 120" (OPT.) FORKS
				in (mm)	in (mm)	in (mm)	deg	deg	lb (kg)
<b>THD3000-24</b>									
Wide Visible (V)	144 (3655)	142 (3607)	0	10	8	30000 (13610)	25030 (11357)	21480 (9744)	18810 (8533)
	162 (4105)	151 (3835)	0	10	8	30000 (13610)	25030 (11357)	21480 (9744)	18810 (8533)
	180 (4575)	160 (4064)	0	10	8	30000 (13610)	25030 (11357)	21480 (9744)	18810 (8533)
	186 (4724)	163 (4140)	0	10	8	30000 (13610)	25030 (11357)	21480 (9744)	18810 (8533)
	204 (5182)	172 (4369)	0	10	8	30000 (13610)	25030 (11357)	21480 (9744)	18810 (8533)
	216 (5486)	178 (4521)	0	10	8	30000 (13610)	25030 (11357)	21480 (9744)	18810 (8533)
	256 (6502)	198 (5029)	0	10	8	30000 (13610)	25030 (11357)	21480 (9744)	18810 (8533)
300 (7620)	220 (5588)	0	10	8	30000 (13610)	25030 (11357)	21480 (9744)	18810 (8533)	
Full Free-Lift 2-Stage (FV)	123 (3124)	117 (2972)	43.5 (1105)	10	8	30000 (13610)	25030 (11357)	21480 (9744)	18810 (8533)
Full Free-Lift 3-Stage (FSV)	228 (5791)	143 (3632)	42 (1067)	10	8	30000 (13610)	25030 (11357)	21480 (9744)	18810 (8533)

MAST TYPE	MAXIMUM FORK HEIGHT (TOP OF FORKS)	OVERALL HEIGHT LOWERED	FREE-LIFT	TILT RANGE		LOAD CAPACITY AT			
				FWD	BWD	24 IN. (610 MM) LOAD CENTER 3" x 8" x 48" (STD.) FORKS	36 IN. (900 MM) LOAD CENTER 3.5" x 8" x 72" (OPT.) FORKS	48 IN. (1200 MM) LOAD CENTER 4" x 8" x 96" (OPT.) FORKS	60 IN. (1520 MM) LOAD CENTER 4" x 8" x 120" (OPT.) FORKS
				in (mm)	in (mm)	in (mm)	deg	deg	lb (kg)
<b>THD3300-24</b>									
Wide Visible (V)	144 (3655)	142 (3607)	0	10	8	33000 (14970)	27540 (12492)	23630 (10719)	20690 (9386)
	162 (4105)	151 (3835)	0	10	8	33000 (14970)	27540 (12492)	23630 (10719)	20690 (9386)
	180 (4575)	160 (4064)	0	10	8	33000 (14970)	27540 (12492)	23630 (10719)	20690 (9386)
	186 (4724)	163 (4140)	0	10	8	33000 (14970)	27540 (12492)	23630 (10719)	20690 (9386)
	204 (5182)	172 (4369)	0	10	8	33000 (14970)	27540 (12492)	23630 (10719)	20690 (9386)
	216 (5486)	178 (4521)	0	10	8	33000 (14970)	27540 (12492)	23630 (10719)	20690 (9386)
	256 (6502)	198 (5029)	0	10	8	33000 (14970)	27540 (12492)	23630 (10719)	20690 (9386)
300 (7620)	220 (5588)	0	10	8	33000 (14970)	27540 (12492)	23630 (10719)	20690 (9386)	
Full Free-Lift 2-Stage (FV)	123 (3124)	117 (2972)	43.5 (1105)	10	8	33000 (14970)	27540 (12492)	23630 (10719)	20690 (9386)
Full Free-Lift 3-Stage (FSV)	228 (5791)	143 (3632)	42 (1067)	10	8	33000 (14970)	27540 (12492)	23630 (10719)	20690 (9386)

MAST TYPE	MAXIMUM FORK HEIGHT (TOP OF FORKS)	OVERALL HEIGHT LOWERED	FREE-LIFT	TILT RANGE		LOAD CAPACITY AT			
				FWD	BWD	24 IN. (610 MM) LOAD CENTER 3" x 8" x 48" (STD.) FORKS	36 IN. (900 MM) LOAD CENTER 3.5" x 8" x 72" (OPT.) FORKS	48 IN. (1200 MM) LOAD CENTER 4" x 8" x 96" (OPT.) FORKS	60 IN. (1520 MM) LOAD CENTER 4" x 8" x 120" (OPT.) FORKS
				in (mm)	in (mm)	in (mm)	deg	deg	lb (kg)
<b>THD3300S-24</b>									
Wide Visible (V)	144 (3655)	142 (3607)	0	10	8	33000 (14970)	27540 (12492)	23630 (10719)	20690 (9386)
	162 (4105)	151 (3835)	0	10	8	33000 (14970)	27540 (12492)	23630 (10719)	20690 (9386)
	180 (4575)	160 (4064)	0	10	8	33000 (14970)	27540 (12492)	23630 (10719)	20690 (9386)
	186 (4724)	163 (4140)	0	10	8	33000 (14970)	27540 (12492)	23630 (10719)	20690 (9386)
	204 (5182)	172 (4369)	0	10	8	33000 (14970)	27540 (12492)	23630 (10719)	20690 (9386)
	216 (5486)	178 (4521)	0	10	8	33000 (14970)	27540 (12492)	23630 (10719)	20690 (9386)
	256 (6502)	198 (5029)	0	10	8	33000 (14970)	27540 (12492)	23630 (10719)	20690 (9386)
300 (7620)	220 (5588)	0	10	8	33000 (14970)	27540 (12492)	23630 (10719)	20690 (9386)	
Full Free-Lift 2-Stage (FV)	123 (3124)	117 (2972)	43.5 (1105)	10	8	33000 (14970)	27540 (12492)	23630 (10719)	20690 (9386)
Full Free-Lift 3-Stage (FSV)	228 (5791)	143 (3632)	42 (1067)	10	8	33000 (14970)	27540 (12492)	23630 (10719)	20690 (9386)

MAST TYPE	MAXIMUM FORK HEIGHT (TOP OF FORKS)	OVERALL HEIGHT LOWERED	FREE-LIFT	TILT RANGE		LOAD CAPACITY AT			
				FWD	BWD	24 IN. (610 MM) LOAD CENTER 3.5" x 8" x 48" (STD.) FORKS	36 IN. (900 MM) LOAD CENTER 3.5" x 8" x 72" (OPT.) FORKS	48 IN. (1200 MM) LOAD CENTER 4" x 8" x 96" (OPT.) FORKS	60 IN. (1520 MM) LOAD CENTER 4" x 8" x 120" (OPT.) FORKS
				in (mm)	in (mm)	in (mm)	deg	deg	lb (kg)
<b>THD3600-24</b>									
Wide Visible (V)	144 (3655)	142 (3607)	0	10	8	36000 (16330)	30040 (13625)	25780 (11694)	22570 (10241)
	162 (4105)	151 (3835)	0	10	8	36000 (16330)	30040 (13625)	25780 (11694)	22570 (10241)
	180 (4575)	160 (4064)	0	10	8	36000 (16330)	30040 (13625)	25780 (11694)	22570 (10241)
	186 (4724)	163 (4140)	0	10	8	36000 (16330)	30040 (13625)	25780 (11694)	22570 (10241)
	204 (5182)	172 (4369)	0	10	8	36000 (16330)	30040 (13625)	25780 (11694)	22570 (10241)
	216 (5486)	178 (4521)	0	10	8	36000 (16330)	30040 (13625)	25780 (11694)	22570 (10241)
	256 (6502)	198 (5029)	0	10	8	36000 (16330)	30040 (13625)	25780 (11694)	22570 (10241)
300 (7620)	220 (5588)	0	10	8	36000 (16330)	30040 (13625)	25780 (11694)	22570 (10241)	
Full Free-Lift 2-Stage (FV)	123 (3124)	117 (2972)	43.5 (1105)	10	8	36000 (16330)	30040 (13625)	25780 (11694)	22570 (10241)
Full Free-Lift 3-Stage (FSV)	228 (5791)	143 (3632)	42 (1067)	10	8	36000 (16330)	30040 (13625)	25780 (11694)	22570 (10241)

MAST TYPE	MAXIMUM FORK HEIGHT (TOP OF FORKS)	OVERALL HEIGHT LOWERED	FREE-LIFT	TILT RANGE		LOAD CAPACITY AT			
				FWD	BWD	24 IN. (610 MM) LOAD CENTER 3.5" x 8" x 48" (STD.) FORKS	36 IN. (900 MM) LOAD CENTER 3.5" x 8" x 72" (OPT.) FORKS	48 IN. (1200 MM) LOAD CENTER 4" x 8" x 96" (OPT.) FORKS	60 IN. (1520 MM) LOAD CENTER 4" x 8" x 120" (OPT.) FORKS
				in (mm)	in (mm)	in (mm)	deg	deg	lb (kg)
<b>THD3600S-24</b>									
Wide Visible (V)	144 (3655)	142 (3607)	0	10	8	36000 (16330)	30040 (13625)	25780 (11694)	22570 (10241)
	162 (4105)	151 (3835)	0	10	8	36000 (16330)	30040 (13625)	25780 (11694)	22570 (10241)
	180 (4575)	160 (4064)	0	10	8	36000 (16330)	30040 (13625)	25780 (11694)	22570 (10241)
	186 (4724)	163 (4140)	0	10	8	36000 (16330)	30040 (13625)	25780 (11694)	22570 (10241)
	204 (5182)	172 (4369)	0	10	8	36000 (16330)	30040 (13625)	25780 (11694)	22570 (10241)
	216 (5486)	178 (4521)	0	10	8	36000 (16330)	30040 (13625)	25780 (11694)	22570 (10241)
	256 (6502)	198 (5029)	0	10	8	36000 (16330)	30040 (13625)	25780 (11694)	22570 (10241)
300 (7620)	220 (5588)	0	10	8	36000 (16330)	30040 (13625)	25780 (11694)	22570 (10241)	
Full Free-Lift 2-Stage (FV)	123 (3124)	117 (2972)	43.5 (1105)	10	8	36000 (16330)	30040 (13625)	25780 (11694)	22570 (10241)
Full Free-Lift 3-Stage (FSV)	228 (5791)	143 (3632)	42 (1067)	10	8	36000 (16330)	30040 (13625)	25780 (11694)	22570 (10241)

MAST SPECIFICATIONS

MAST TYPE	MAXIMUM FORK HEIGHT (TOP OF FORKS)	OVERALL HEIGHT LOWERED	FREE- LIFT	TILT RANGE		LOAD CAPACITY AT		
				FWD	BWD	36 IN. (900 MM) LOAD CENTER 4" x 8" x 72" (STD.) FORKS	48 IN. (1200 MM) LOAD CENTER 4" x 10" x 96" (OPT.) FORKS	60 IN. (1520 MM) LOAD CENTER 4" x 10" x 120" (OPT.) FORKS
				in (mm)	in (mm)	in (mm)	deg	deg
<b>THD3600-36</b>								
Wide Visible (V)	144 (3655)	142 (3607)	0	10	8	36000 (16330)	31170 (14141)	27490 (12471)
	162 (4105)	151 (3835)	0	10	8	36000 (16330)	31170 (14141)	27490 (12471)
	180 (4575)	160 (4064)	0	10	8	36000 (16330)	31170 (14141)	27490 (12471)
	186 (4724)	163 (4140)	0	10	8	36000 (16330)	31170 (14141)	27490 (12471)
	204 (5182)	172 (4369)	0	10	8	36000 (16330)	31170 (14141)	27490 (12471)
	216 (5486)	178 (4521)	0	10	8	36000 (16330)	31170 (14141)	27490 (12471)
	256 (6502)	198 (5029)	0	10	8	36000 (16330)	31170 (14141)	27490 (12471)
Full Free-Lift 2-Stage (FV)	102 (2590)	111 (2819)	47 (1193)	10	8	36000 (16330)	31170 (14141)	27490 (12471)
	136 (3454)	128 (3251)	55.4 (1407)	10	8	36000 (16330)	31170 (14141)	27490 (12471)
Full Free-Lift 3-Stage (FSV)	201 (5105)	136 (3454)	24 (609)	10	8	36000 (16330)	31170 (14141)	27490 (12471)

MAST TYPE	MAXIMUM FORK HEIGHT (TOP OF FORKS)	OVERALL HEIGHT LOWERED	FREE- LIFT	TILT RANGE		LOAD CAPACITY AT		
				FWD	BWD	36 IN. (900 MM) LOAD CENTER 4" x 8" x 72" (STD.) FORKS	48 IN. (1200 MM) LOAD CENTER 4" x 10" x 96" (OPT.) FORKS	60 IN. (1520 MM) LOAD CENTER 4" x 10" x 120" (OPT.) FORKS
				in (mm)	in (mm)	in (mm)	deg	deg
<b>THD3600S-36</b>								
Wide Visible (V)	144 (3655)	142 (3607)	0	10	8	36000 (16330)	31170 (14141)	27490 (12471)
	162 (4105)	151 (3835)	0	10	8	36000 (16330)	31170 (14141)	27490 (12471)
	180 (4575)	160 (4064)	0	10	8	36000 (16330)	31170 (14141)	27490 (12471)
	186 (4724)	163 (4140)	0	10	8	36000 (16330)	31170 (14141)	27490 (12471)
	204 (5182)	172 (4369)	0	10	8	36000 (16330)	31170 (14141)	27490 (12471)
	216 (5486)	178 (4521)	0	10	8	36000 (16330)	31170 (14141)	27490 (12471)
	256 (6502)	198 (5029)	0	10	8	36000 (16330)	31170 (14141)	27490 (12471)
Full Free-Lift 2-Stage (FV)	102 (2590))	111 (2819)	47 (1193)	10	8	36000 (16330)	31170 (14141)	27490 (12471)
	136 (3454)	128 (3251)	55.4 (1407)	10	8	36000 (16330)	31170 (14141)	27490 (12471)
Full Free-Lift 3-Stage (FSV)	201 (5105)	136 (3454)	24 (609)	10	8	36000 (16330)	31170 (14141)	27490 (12471)

MAST TYPE	MAXIMUM FORK HEIGHT (TOP OF FORKS)	OVERALL HEIGHT LOWERED	FREE- LIFT	TILT RANGE		LOAD CAPACITY AT	
				FWD	BWD	48 IN. (1200 MM) LOAD CENTER 4" x 10" x 96" (STD.) FORKS	60 IN. (1520 MM) LOAD CENTER 4.5" x 10" x 120" (OPT.) FORKS
				in (mm)	in (mm)	in (mm)	deg
<b>THD3600-48</b>							
Wide Visible (V)	120 (3048)	138 (3505)	0	10	8	36000 (16320)	31750 (14405)
	128 (3251)	142 (3607)	0	10	8	36000 (16320)	31750 (14405)
	144 (3655)	150 (3810)	0	10	8	36000 (16320)	31750 (14405)
	160 (4064)	158 (4013)	0	10	8	36000 (16320)	31750 (14405)
	172 (4369)	164 (4165)	0	10	8	36000 (16320)	31750 (14405)
	180 (4575)	168 (4267)	0	10	8	36000 (16320)	31750 (14405)
	184 (4673)	170 (4318)	0	10	8	36000 (16320)	31750 (14405)
Full Free-Lift 2-Stage (FV)	102 (2590)	111 (2819)	47 (1193)	10	8	36000 (16320)	31750 (14405)
	136 (3454)	128 (3251)	55.4 (1407)	10	8	36000 (16320)	31750 (14405)

MAST TYPE	MAXIMUM FORK HEIGHT (TOP OF FORKS)	OVERALL HEIGHT LOWERED	FREE-LIFT	TILT RANGE		LOAD CAPACITY AT	
				FWD	BWD	48 IN. (1200 MM) LOAD CENTER 4.5" x 10" x 96" (STD.) FORKS	60 IN. (1520 MM) LOAD CENTER 4.5" x 10" x 120" (OPT.) FORKS
				in (mm)	in (mm)	in (mm)	deg
<b>THD4000-48</b>							
Wide Visible (V)	120 (3048)	138 (3505)	0	12	9	40000 (18143)	37495 (17007)
	128 (3251)	142 (3607)	0	12	9	40000 (18143)	37495 (17007)
	144 (3655)	150 (3810)	0	12	9	40000 (18143)	37495 (17007)
	160 (4064)	158 (4013)	0	12	9	40000 (18143)	37495 (17007)
	172 (4369)	164 (4165)	0	12	9	40000 (18143)	37495 (17007)
	180 (4575)	168 (4267)	0	12	9	40000 (18143)	37495 (17007)
	184 (4673)	170 (4318)	0	12	9	40000 (18143)	37495 (17007)
	216 (5486)	186 (4724)	0	12	9	40000 (18143)	37495 (17007)

MAST TYPE	MAXIMUM FORK HEIGHT (TOP OF FORKS)	OVERALL HEIGHT LOWERED	FREE-LIFT	TILT RANGE		LOAD CAPACITY AT	
				FWD	BWD	48 IN. (1200 MM) LOAD CENTER 4.5" x 10" x 96" (STD.) FORKS	60 IN. (1520 MM) LOAD CENTER 4.5" x 10" x 120" (OPT.) FORKS
				in (mm)	in (mm)	in (mm)	deg
<b>THD4500-48</b>							
Wide Visible (V)	144 (3655)	154 (3911)	0	12	9	45000 (20412)	40100 (18193)
	156 (3962)	160 (4064)	0	12	9	45000 (20412)	40100 (18193)
	180 (4572)	172 (4369)	0	12	9	45000 (20412)	40100 (18193)
	216 (5486)	190 (4826)	0	12	9	45000 (20412)	40100 (18193)
	324 (8229)	244 (6197)	0	12	9	45000 (20412)	40100 (18193)

MAST TYPE	MAXIMUM FORK HEIGHT (TOP OF FORKS)	OVERALL HEIGHT LOWERED	FREE-LIFT	TILT RANGE		LOAD CAPACITY AT	
				FWD	BWD	48 IN. (1200 MM) LOAD CENTER 4.5" x 10" x 96" (STD.) FORKS	60 IN. (1520 MM) LOAD CENTER 4.5" x 10" x 120" (OPT.) FORKS
				in (mm)	in (mm)	in (mm)	deg
<b>THD4500S-48</b>							
Wide Visible (V)	144 (3655)	154 (3911)	0	12	9	45000 (20412)	40100 (18193)
	156 (3962)	160 (4064)	0	12	9	45000 (20412)	40100 (18193)
	180 (4572)	172 (4369)	0	12	9	45000 (20412)	40100 (18193)
	216 (5486)	190 (4826)	0	12	9	45000 (20412)	40100 (18193)
	324 (8229)	244 (6197)	0	12	9	45000 (20412)	40100 (18193)

MAST TYPE	MAXIMUM FORK HEIGHT (TOP OF FORKS)	OVERALL HEIGHT LOWERED	FREE-LIFT	TILT RANGE		LOAD CAPACITY AT	
				FWD	BWD	48 IN. (1200 MM) LOAD CENTER 4.5" x 12" x 96" (STD.) FORKS	60 IN. (1520 MM) LOAD CENTER 4.5" x 12" x 120" (OPT.) FORKS
				in (mm)	in (mm)	in (mm)	deg
<b>THD5000-48</b>							
Wide Visible (V)	144 (3655)	154 (3911)	0	12	9	50000 (22680)	44565 (20214)
	156 (3962)	160 (4064)	0	12	9	50000 (22680)	44565 (20214)
	180 (4572)	172 (4369)	0	12	9	50000 (22680)	44565 (20214)
	216 (5486)	190 (4826)	0	12	9	50000 (22680)	44565 (20214)
	324 (8229)	244 (6197)	0	12	9	50000 (22680)	44565 (20214)

MAST TYPE	MAXIMUM FORK HEIGHT (TOP OF FORKS)	OVERALL HEIGHT LOWERED	FREE-LIFT	TILT RANGE		LOAD CAPACITY AT	
				FWD	BWD	48 IN. (1200 MM) LOAD CENTER 4.5" x 12" x 96" (STD.) FORKS	60 IN. (1520 MM) LOAD CENTER 5" x 12" x 120" (OPT.) FORKS
				in (mm)	in (mm)	in (mm)	deg
<b>THD5200-48</b>							
Wide Visible (V)	144 (3655)	154 (3911)	0	12	9	52000 (23587)	46340 (21023)
	156 (3962)	160 (4064)	0	12	9	52000 (23587)	46340 (21023)
	180 (4572)	172 (4369)	0	12	9	52000 (23587)	46340 (21023)
	216 (5486)	190 (4826)	0	12	9	52000 (23587)	46340 (21023)
	324 (8229)	244 (6197)	0	12	9	52000 (23587)	46340 (21023)

## MAST SPECIFICATIONS

MAST TYPE	MAXIMUM FORK HEIGHT (TOP OF FORKS)	OVERALL HEIGHT LOWERED	FREE-LIFT	TILT RANGE		LOAD CAPACITY AT	
				FWD	BWD	48 IN. (1200 MM) LOAD CENTER 4.5" x 12" x 96" (STD.) FORKS	60 IN. (1520 MM) LOAD CENTER 5" x 12" x 120" (OPT.) FORKS
				in (mm)	in (mm)	in (mm)	deg
<b>THD5500-48</b>							
Wide Visible (V)	144 (3655)	154 (3911)	0	12	9	55000 (24948)	49020 (22236)
	156 (3962)	160 (4064)	0	12	9	55000 (24948)	49020 (22236)
	180 (4572)	172 (4369)	0	12	9	55000 (24948)	49020 (22236)
	216 (5486)	190 (4826)	0	12	9	55000 (24948)	49020 (22236)
	324 (8229)	244 (6197)	0	12	9	55000 (24948)	49020 (22236)

MAST TYPE	MAXIMUM FORK HEIGHT (TOP OF FORKS)	OVERALL HEIGHT LOWERED	FREE-LIFT	TILT RANGE		LOAD CAPACITY AT	
				FWD	BWD	48 IN. (1200 MM) LOAD CENTER 5" x 12" x 96" (STD.) FORKS	60 IN. (1520 MM) LOAD CENTER 5" x 12" x 120" (OPT.) FORKS
				in (mm)	in (mm)	in (mm)	deg
<b>THD6000-48</b>							
Wide Visible (V)	144 (3655)	154 (3911)	0	12	9	60000 (27216)	53470 (24257)
	156 (3962)	160 (4064)	0	12	9	60000 (27216)	53470 (24257)
	180 (4572)	172 (4369)	0	12	9	60000 (27216)	53470 (24257)
	216 (5486)	190 (4826)	0	12	9	60000 (27216)	53470 (24257)
	324 (8229)	244 (6197)	0	12	9	60000 (27216)	53470 (24257)

MAST TYPE	MAXIMUM FORK HEIGHT (TOP OF FORKS)	OVERALL HEIGHT LOWERED	FREE-LIFT	TILT RANGE		LOAD CAPACITY AT	
				FWD	BWD	48 IN. (1200 MM) LOAD CENTER 5" x 12" x 96" (STD.) FORKS	60 IN. (1520 MM) LOAD CENTER 5.5" x 12" x 120" (OPT.) FORKS
				in (mm)	in (mm)	in (mm)	deg
<b>THD6500-48</b>							
Wide Visible (V)	144 (3655)	154 (3911)	0	12	9	65000 (29483)	57930 (26279)
	156 (3962)	160 (4064)	0	12	9	65000 (29483)	57930 (26279)
	180 (4572)	172 (4369)	0	12	9	65000 (29483)	57930 (26279)
	216 (5486)	190 (4826)	0	12	9	65000 (29483)	57930 (26279)
	324 (8229)	244 (6197)	0	12	9	65000 (29483)	57930 (26279)

MAST TYPE	MAXIMUM FORK HEIGHT (TOP OF FORKS)	OVERALL HEIGHT LOWERED	FREE-LIFT	TILT RANGE		LOAD CAPACITY AT	
				FWD	BWD	48 IN. (1200 MM) LOAD CENTER 5.5" x 12" x 96" (STD.) FORKS	60 IN. (1520 MM) LOAD CENTER 5.5" x 12" x 120" (OPT.) FORKS
				in (mm)	in (mm)	in (mm)	deg
<b>THD7000-48</b>							
Wide Visible (V)	144 (3655)	164 (4165)	0	12	9	70000 (31751)	62390 (28300)
	184 (4673)	184 (4673)	0	12	9	70000 (31751)	62390 (28300)
	216 (5486)	200 (5080)	0	12	9	70000 (31751)	62390 (28300)

MAST TYPE	MAXIMUM FORK HEIGHT (TOP OF FORKS)	OVERALL HEIGHT LOWERED	FREE-LIFT	TILT RANGE		LOAD CAPACITY AT	
				FWD	BWD	48 IN. (1200 MM) LOAD CENTER 5.5" x 12" x 96" (STD.) FORKS	60 IN. (1520 MM) LOAD CENTER 5.5" x 12" x 120" (OPT.) FORKS
				in (mm)	in (mm)	in (mm)	deg
<b>THD7200-48</b>							
Wide Visible (V)	144 (3655)	164 (4165)	0	12	9	72000 (32659)	64174 (29108)
	184 (4673)	184 (4673)	0	12	9	72000 (32659)	64174 (29108)
	216 (5486)	200 (5080)	0	12	9	72000 (32659)	64174 (29108)



TOYOTA

OTA

NO RIDERS

12.00-20

Some product features described herein are optional. Please consult your dealer for specifications.  
Details of specifications and equipment are based on information available at time of printing and may change without notice.



**INDUSTRIAL EQUIPMENT**

**REACH NEW HEIGHTS**

00722THDSS

©2016 Toyota Material Handling, U.S.A., Inc.