



CAT® Lift Trucks

17,500 – 33,000 LB CAPACITY DIESEL PNEUMATIC TIRE LIFT TRUCK

Courtesy of Crane.Market

Quality

Reliability

Customer Service

MODEL NUMBER	RATED CAPACITY (LBS)	ENGINE DISPLACEMENT (LITERS) - DIESEL
P17500	17,500	7.5
P20000	20,000	7.5
P22000	22,000	7.5
P26500	26,500	7.5
P30000	30,000	7.5
P33000	33,000	7.5

At Cat Lift Trucks, we recognize that customers depend on their lift trucks to get the job done. That is why we are proud to introduce the new and exciting P17500-P33000 series of diesel pneumatic tire lift trucks. These rugged machines combine modern ergonomic styling with a test-proven design. The new operator compartment promotes effortless control of the lift truck. The turbocharged engine delivers exceptional performance for maximum productivity, while meeting strict 2007 EPA emissions requirements. Available in six different capacities, these trucks are ready to tackle the most demanding customer applications.

Specifically designed around the things that matter most: Quality, Reliability; and backed by the best Customer Service in the industry. These trucks are equipped with a tilting operator compartment, fingertip hydraulic control system, operator Presence Detection System, extended service intervals, and are backed by one of the most comprehensive customer support networks in the industry.

Everything You've Come To Expect.



Nobody Does It Better

The standard features on these lift trucks include several value-added premium features. Be sure to ask your Cat lift truck dealer about the many options available to customize your P17500-P33000 lift trucks:

Comfort And Convenience

- Quick and convenient daily service checks – No tools required
- Fingertip hydraulic control system
- Full suspension vinyl seat with operator restraint system
- Convenient 3 point entry and exit
- Anti-cinch seat belt
- Anti-slip rubber floor mat



Performance And Reliability

- Powerful 6M60-TL Mitsubishi diesel engine
- Optional Ground Speed Control
- Fuel efficient
- EPA compliant
- Enhanced transmission system
- Premium display panel including indicators for:
 - Parking brake/brake fluid level
 - Engine oil pressure
 - Seat belt warning
 - Alternator
 - Digital hour meter/Diagnostic codes
 - Parking brake
 - Transmission oil lamp
 - Neutral (transmission)
 - Coolant temperature level
 - Diesel fuel level
 - Mast interlock
 - Engine status light
 - Engine protection system

Construction And Quality

- Data exchange via advanced CAN-Bus system
- Operator Presence Detection System (PDS)
- Full tilt of operator compartment within 60 manual cranks
- Optional electric hydraulic lift system eliminates manual cranking of the operator compartment
- Assembled to ISO9001:2000 standards
- Viscous mounting of the operator compartment
- P17500-P33000 air-over hydraulic brakes standard
- Over-temperature protection (engine temperature, transmission oil temperature, engine oil pressure, engine coolant)
- High-strength mast and carriage designs
- Heavy-duty cast drive axle
- Isolating rubber mounts for engine, transmission, steer axle, hydraulic control valve, radiator, exhaust piping, and mast cylinders
- Insulated engine hood

Service And Support

- Truck fault history with fault codes storage
- Up to 500-hour service intervals
- Parts Fast or Parts Free Guarantee
- Free Loaner Service Guarantee
- Comprehensive customer support network



Easy Entry

Getting in and out of the lift truck is safe and easy with the convenient 3-point entry and exit features. Large traction plate steps reduce the possibility of slipping, and the conveniently located elongated grab handles aid the operator in safely entering and exiting the truck.

Spacious Compartment Layout

The operator compartment also features a contemporary design that offers a spacious pedal layout and ergonomically designed controls that are strategically positioned to help operators work comfortably and efficiently.



No Tools Required

The P17500-P33000 series is designed with operator convenience in mind. All daily service checks including transmission and hydraulic oil levels are performed quick and easy without the need for tools.

It's All About The Hydraulic Control System

This hydraulic control system has it all! A rugged design for those tough applications, and all the appropriate ergonomic features that empower the operator. With near effortless lever motion and precise material handling capability, operators will enjoy enhanced productivity and less fatigue at the end of a shift. The new fingertip hydraulic control is standard on all models.



Unmatched Comfort

Operator comfort is assured with a full-suspension vinyl seat. With features like fore-and-aft adjustment, weight sensitive adjustment and lumbar support adjustment, this seat is designed to offer maximum comfort for a broad range of operators.

Turbo-Charged, Fuel Injected Mitsubishi In-Line 6-Cylinder Diesel Engine

For performance, the P17500-P33000 relies on the proven 6M60-TL Mitsubishi diesel engine. This engine combines power with fuel efficiency. The durable 148 horsepower fuel injected turbo-charged in-line 6-cylinder engine provides the torque necessary to accomplish the most demanding applications at hand. Equipped with a common rail fuel delivery system assures even and high pressure fuel delivery to all 6-cylinders allowing for swift acceleration, low noise, and reliable performance.

Powerfully Productive And Remarkably Versatile

The optional Ground Speed Control allows for customization of the maximum travel speed to meet your specific application requirements without affecting the trucks overall performance. The benefits include reduced risk to pedestrian traffic, lower operating costs, enhanced engine wear protection, as well as reduced risk of damaging loads and trucks.

EPA Compliant

While designed to handle the most rugged work environment, each model meets or exceeds stringent Environmental Protection Agency (EPA) standards reducing carbon monoxide (CO), hydrocarbons (HC), and nitrogen oxide (NOx) emissions.

Longer Uninterrupted Performance

The transmission has been modified to incorporate more friction plates allowing for longer uninterrupted performance.

Advanced Sound And Vibration Dampening Solutions

Operator comfort is directly impacted by noise and vibration levels of the truck; therefore, the operator compartment is viscously mounted to the chassis. This helps to significantly reduce the noise and vibration levels of the truck. Additional sound and vibration dampening aids include the use of insulation material and a quietly running cooling fan system.

Intelligent By Design

The incorporation of a CAN-Bus system allows for a seamless connection of the Vehicle Control Module (VCM) and Engine Control Module (ECM). This allows immediate exchange and accessibility to all data. Additional benefits include a significant reduction in wiring as well as increased functionality over conventional systems. The CAN-Bus system also delivers excellent reliability and full diagnosis capabilities, simplifying the servicing of the truck.



Low Effort Braking

Air-over-hydraulic brakes offer positive braking action with nominal foot pedal pressure. For those extreme applications where frequent braking is a necessity, oil cooled wet disc brakes are the better alternative and are offered as an option for all 17,500-33,000 lb models. These brakes enhance brake pad longevity while reducing braking efforts even further.

Peace Of Mind

In the event that the operator should leave the normal seated operating position, Cat Lift Trucks advanced operator Presence Detection System (PDS) helps protect operators, pedestrians and loads by temporarily disengaging both the drive functions and hydraulic functions of the truck. In addition, if the operator has not applied the parking brake, the parking brake alarm will sound. Once the operator returns to the normal seated operating position, a buzzer will sound reminding the operator to fasten their seat belt.



Quick Access

The development of an innovative operator module design allows for quick and convenient access to the hydraulics, transmission, cooling and other major truck components. The operator compartment tilts to the left side of the truck allowing service technician's easy access to all critical components.

Extensive Diagnostic Program

The premium display panel provides service technicians with quick access to the fault history folder. Fault codes are stored allowing for more efficient truck monitoring and troubleshooting.

Double The Service Interval

The series comes with service intervals up to 500 hours. Operating a truck eight hours a day with a conventional 250 hour service interval requires planned maintenance (PM) every six weeks. With the P-Series, service intervals are doubled—extending up to 12 weeks. This cuts downtime and planned maintenance.

The Industry's Most Comprehensive Support

To further help reduce total cost of ownership, your investment is protected with a Cat Lift Trucks one-year/unlimited-hours warranty and the industry's only freight-inclusive Parts Fast/Parts Free program. We also offer our Free Loaner Service Guarantee. As with all Cat lift trucks, the P17500-P33000 series is supported by a comprehensive package of professional dealer services and a regional parts distribution network.



Specifications

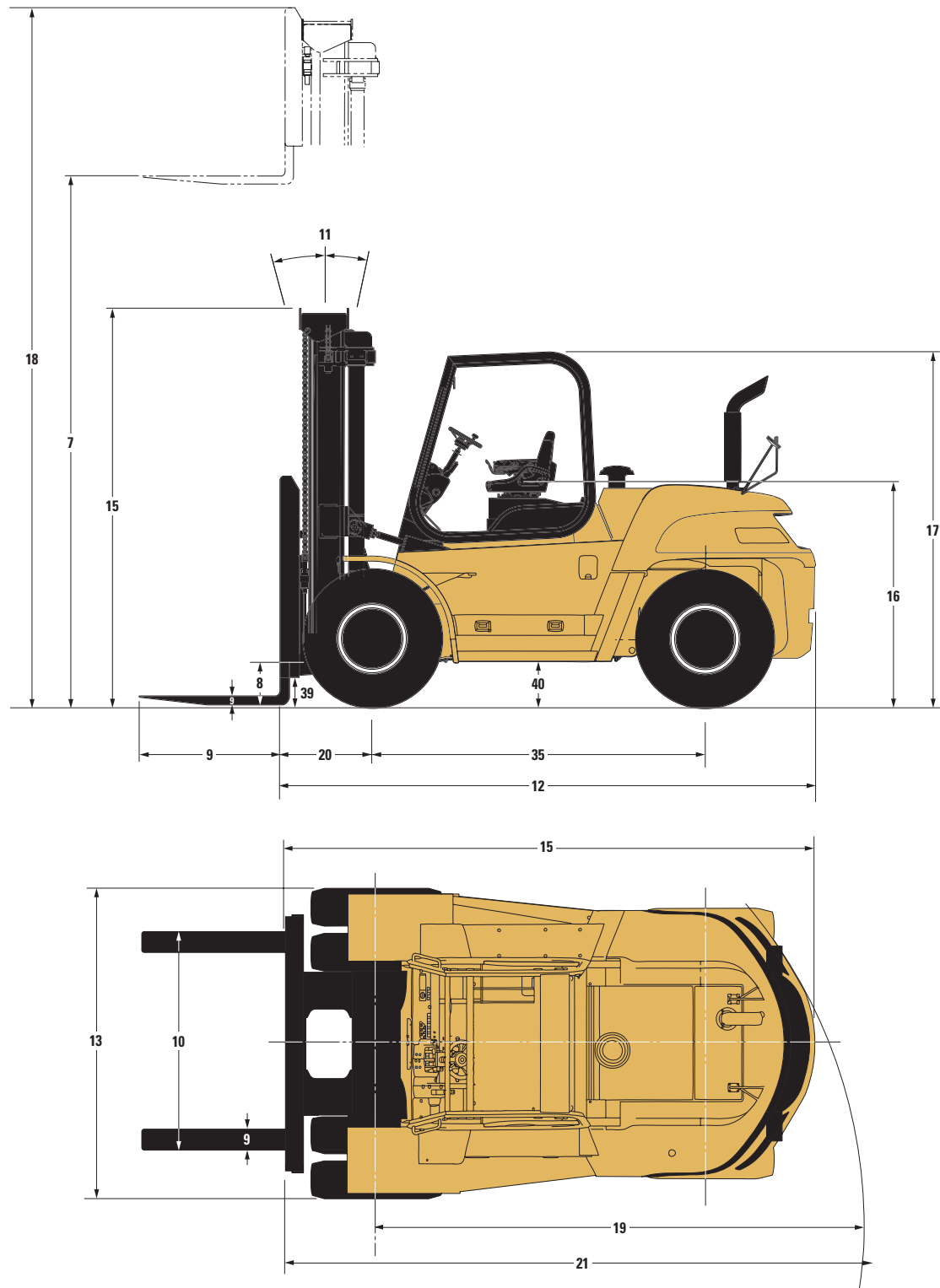
CHARACTERISTICS			P17500				
1	Capacity	at rated load center	lb	kg	17,500	8,000	
2		at load center - distance	in	mm	24	600	
3	Power	diesel, gas, LP gas			diesel		
4	Tire type	cushion, pneumatic			pneumatic		
5	Wheels (x = driven)	number front / rear			x4 / 2		
DIMENSIONS							
6	Lift	maximum fork height with rated load	in	mm	196.9	5,000	
7	Lift with standard two-stage mast	maximum fork height	in	mm	132.4	3,364	
8		free fork height	in	mm	8.7	220	
9	Forks	thickness x length x width	in	mm	2.5 x 48 x 7.1	64 x 1,220 x 180	
10	Fork spacing	out-to-out minimum / maximum	in	mm	17.7 / 65.7	450 / 1,670	
11	Tilt	forward / backward			15 / 12		
12	Overall dimensions	length to fork face	in	mm	160.0	4,065	
13		width	with standard dual drive tires	in	mm	94.1	2,390
14			with optional dual drive tires	in	mm		
15		height	with lowered mast	in	mm	115.2	2,925
16			seat height	in	mm	70.9	1,800
17			to top of overhead guard	in	mm	112.0	2,845
18	with extended mast		in	mm	181.9	4,620	
19	Minimum outside turning radius		in	mm	150.8	3,830	
20	Load moment constant		in	mm	26.6	675	
21	Minimum aisle - 90° stack - zero clearance w / out load		in	mm	177.4	4,505	
PERFORMANCE							
22	Speeds	travel speed loaded / empty	mph	km/h	17.0 / 20.0	28.0 / 32.0	
23		lift speed loaded / empty	fpm	m/s	108 / 112	0.55 / 0.57	
24		lowering speed loaded / empty	fpm	m/s	108 / 98	0.55 / 0.50	
25	Drawbar pull	loaded at 1 mph (1.6 km)	lb	N	19,243	85,600	
26		loaded maximum	lb	N	23,335	103,800	
27	Gradeability	loaded at 1 mph (1.6 km)		%	46		
28		maximum loaded / empty		%	63 / 31		
WEIGHT							
29	Empty		lb	kg	25,882	11,740	
30	Axle load	with rated load front / rear	lb	kg	39,110 / 4,409	17,740 / 2,000	
31		without load front / rear	lb	kg	12,985 / 12,897	5,890 / 5,850	
CHASSIS							
32	Tire size	front, standard	in		9.00 x 20-12PR		
33		front, optional duals	in				
34		rear	in		9.00 x 20-12PR		
35	Wheelbase		in	mm	104.3	2,650	
36	Tread width	front, standard dual drive tires	in	mm	71.7	1,820	
37		front, optional dual drive tires	in	mm			
38		rear tires	in	mm	69.1	1,755	
39	Ground clearance	at lowest point @ mast	in	mm	8.5	215	
40		at center of wheelbase	in	mm	9.1	230	
41	Brakes	service			air over hydraulic-foot		
42		parking			mechanical-hand		
POWER TRAIN							
43	Engine	manufacture and model			Mitsubishi 6M60-TL		
44		continuous output S.A.E. gross	HP	kW	148	110	
45					at r.p.m.	2,100	
46		maximum torque S.A.E. gross	lb-ft	N-m	450	610	
47					at r.p.m.	1,600	
48		cylinder / displacement	cu in	cm ³	6 / 460	6 / 7,545	
49	Transmission	type			Automatic Powershift		
50		number of speeds forward / reverse			3 / 3		
51	Relief pressure	for attachments	psi	bar	2,625	181	
52	Noise lever	mean value at operator's ear Leq		dB(A)			

NOTE: These specifications assume the use of drive axles, tires and tilt angles specified. Any modification to specifications, or any other combination of specifications made after the shipment of the truck, requires prior written approval from Mitsubishi Caterpillar Forklift America Inc. ("MCFA"). (See ANSI/ITSDF B56.1 Part II 4.2.) Also be advised that overall operating visibility may be affected by the mast configuration and mast options of your truck. Therefore, you may need to add ancillary [auxiliary] devices or modify your operating practices. Consult your dealer for further information.

P20000		P22000		P26500	
20,000	9,000	22,000	10,000	26,500	12,000
24	600	24	600	24	600
diesel		diesel		diesel	
pneumatic		pneumatic		pneumatic	
x4 / 2		x4 / 2		x4 / 2	
196.9	5,000	216.5	5,500	216.5	5,500
132.8	3,372	132.8	3,372	133.0	3,379
0.0	0.0	0.0	0.0	0.0	0.0
2.8 x 48 x 7.1	72 x 1,220 x 180	2.8 x 48 x 7.1	72 x 1,220 x 180	3.1 x 48 x 7.1	79 x 1,220 x 180
18.5 / 79.8	470 / 2,026	18.5 / 79.8	470 / 2,026	18.5 / 79.8	470 / 2,026
15 / 12		15 / 12		15 / 12	
166.9	4,240	168.9	4,290	172.2	4,375
94.1	2,390	99.0	2,515	99.0	2,515
122.8	3,120	127.4	3,235	127.4	3,235
70.9	1,800	73.8	1,875	73.8	1,875
112.0	2,845	114.8	2,915	114.8	2,915
188.4	4,785	192.3	4,885	192.3	4,885
154.7	3,930	157.1	3,990	159.4	4,050
29.7	755	29.7	755	30.1	765
184.4	4,685	186.8	4,745	189.6	4,815
170 / 19.0	270 / 31.0	15.0 / 18.0	24.0 / 29.0	14.0 / 18.0	23.0 / 29.0
870 / 91.0	0.44 / 0.46	91.0 / 94.0	0.46 / 0.48	91.0 / 94.0	0.46 / 0.48
870 / 79.0	0.44 / 0.40	91.0 / 98.0	0.46 / 0.50	91.0 / 98.0	0.46 / 0.50
19,063	84,800	19,445	86,500	19,266	85,700
21,311	94,800	23,874	106,200	23,717	105,500
39		38		33	
58 / 28		49 / 30		42 / 27	
29,784	13,510	32,628	14,800	35,406	16,060
44,732 / 4,894	20,290 / 2,220	49,141 / 5,534	22,290 / 2,510	55,534 / 6,327	25,190 / 2,870
14,738 / 15,047	6,685 / 6,825	16,424 / 16,204	7,450 / 7,350	16,182 / 19,224	7,340 / 8,720
9.00 x 20-14PR		10.00 x 20-14PR		10.00 x 20-16PR	
9.00 x 20-14PR		10.00 x 20-14PR		10.00 x 20-16PR	
104.3	2,650	110.2	2,800	110.2	2,800
71.7	1,820	74.8	1,900	74.8	1,900
69.1	1,755	77.4	1,965	77.4	1,965
8.1	205	8.7	220	8.7	220
9.1	230	10.8	275	10.8	275
air over hydraulic-foot		air over hydraulic-foot		air over hydraulic-foot	
mechanical-hand		mechanical-hand		mechanical-hand	
Mitsubishi 6M60-TL		Mitsubishi 6M60-TL		Mitsubishi 6M60-TL	
148	110	148	110	148	110
2,100		2,100		2,100	
450	610	450	610	450	610
1,600		1,600		1,600	
6 / 460	6 / 7,545	6 / 460	6 / 7,545	6 / 460	6 / 7,545
Automatic Powershift		Automatic Powershift		Automatic Powershift	
3 / 3		3 / 3		3 / 3	
2,625	181	2,987	206	2,987	206

P30000		P33000	
30,000	13,500	33,000	15,000
24	600	24	600
diesel		diesel	
pneumatic		pneumatic	
x4 / 2		x4 / 2	
216.5	5,500	216.5	5,500
133.4	3,388	133.4	3,388
0.0	0.0	0.0	0.0
3.5 x 48 x 7.1	88 x 1,220 x 180	3.5 x 48 x 7.1	88 x 1,220 x 180
18.5 / 79.5	470 / 2,020	18.5 / 79.5	470 / 2,020
15 / 12		15 / 12	
178.1	4,525	190.2	4,830
102.4	2,600	102.4	2,600
137.0	3,480	137.0	3,480
75.4	1,915	75.4	1,915
116.5	2,960	116.5	2,960
205.7	5,225	205.7	5,225
163.4	4,150	178.9	4,545
31.3	795	31.3	795
194.7	4,945	210.2	5,340
14.0 / 19.0	23.0 / 30.0	14.0 / 19.0	23.0 / 30.0
75.0 / 79.0	0.38 / 0.40	75.0 / 79.0	0.38 / 0.40
94.0 / 100	0.48 / 0.51	94.0 / 100	0.48 / 0.51
17,714	78,800	17,625	78,400
21,356	95,000	21,289	94,700
27		25	
33 / 26		31 / 27	
39,022	17,700	39,793	18,050
61,862 / 6,923	28,060 / 3,140	65,984 / 6,878	29,930 / 3,120
17,306 / 21,716	7,850 / 9,850	18,056 / 21,738	8,190 / 9,860
12.00 x 20-18PR		12.00 x 20-18PR	
12.00 x 20-18PR		12.00 x 20-18PR	
110.2	2,800	122.0	3,100
75.0	1,905	75.0	1,905
75.8	1,925	75.8	1,925
10.2	260	10.2	260
12.6	320	12.6	320
air over hydraulic-foot		air over hydraulic-foot	
mechanical-hand		mechanical-hand	
Mitsubishi 6M60-TL		Mitsubishi 6M60-TL	
148	110	148	110
2,100		2,100	
450	610	450	610
1,600		1,600	
6 / 460	6 / 7,545	6 / 460	6 / 7,545
Automatic Powershift		Automatic Powershift	
3 / 3		3 / 3	
2,987	206	2,987	206

Call-out numbers shown in the diagram correspond to the first column of the specifications chart.



SAFETY STANDARDS

These trucks meet American National Standards (ANSI)/Industrial Truck Standards Development Foundation (ITSDF) B56.1, part III Safety Standards for powered industrial trucks.

Pending UL-Classification by Underwriters Laboratories, Inc., as to fire and electric shock hazard only.

Users should be aware of, and adhere to, applicable codes and regulations regarding operator training, use, operation and maintenance of powered industrial trucks, including:

- ANSI/ITSDF B56.1, part II.
- NFPA 505, fire safety standard for powered industrial trucks - type designations, areas of use, maintenance and operation.
- Occupational Safety and Health Administration (OSHA) regulations that may apply.

Specifications, equipment, technical data, photos and illustrations based on information at time of printing and subject to change without notice. Some products may be shown with optional equipment.

Expanding Your Capabilities

These trucks are specifically designed to deliver strong and dependable service in some of the toughest environments, including, but not limited to:

- Lumber and Wood Products
- Primary Metals
- Concrete, Brick and Block Products
- Stone, Clay and Glass Products
- Construction
- Stevedoring
- Building Materials
- Mining

Ask your Cat lift truck dealer to help you select the right truck and option package for your specific application requirements.

Ask For A Demonstration

The advantages of the 17,500–33,000 lb capacity diesel pneumatic tire lift truck become obvious with a demonstration. See strong proof that Cat lift trucks and your Cat lift truck dealer can offer you more productivity-driven benefits for a solid return on your equipment investment. Call for an appointment today.



Quality

Reliability

Customer Service

Everything
You've Come to Expect.



Unlimited Hours Warranty covers parts and labor for one year, regardless of service hours.

Parts Fast or Parts Free Guarantee ensures next-business-day availability (at dealer's location) of parts for all lift trucks or they are free, including freight.

Free Loaner Service Guarantee provides a lift truck until the repair is done if your lift truck is not repaired right the first time and within the quoted time.

Contact your Cat lift truck dealer for complete terms and conditions of these guarantees.

Cat Lift Trucks offers an extensive range of products and services. Your Cat lift truck dealer can provide options and additional visual and audible warning devices geared toward your specific applications and requirements. Operator training programs are also available to boost productivity and to help reduce the potential for product damage and personal injury.

Your Cat lift truck dealer can also provide a variety of financing and leasing options to suit the needs of your business.

Copyright © 2006 by MCFA. All rights reserved. CAT, CATERPILLAR, their respective logos and "Caterpillar Yellow," as well as corporate and product identity used herein, are trademarks of Caterpillar and may not be used without permission. All registered trademarks are the property of their respective owners. Some products may be shown with optional equipment. Printed in U.S.A.

CECV0010-01

11/06

**CAT[®] Lift
Trucks**

1-800-CAT-LIFT
www.cat-lift.com

Courtesy of Crane.Market